



Big Foot HD Beam

Steels | Chillers | Plant Rooms | Heavy Pipes & Armoured Cabling

Typical Application

The HD Beam was developed as a lighter weight companion to the HD Cube. Typical applications include large chillers, large air handling units and heavy pipes and services. HD Beam is a robust but flexible solution where space may be limited, or there is a requirement to position directly over existing structural roof beams. With 7/8" stud built into both legs to accommodate roof falls, the requirement for additional adjustment is not usually needed. An optional, 'quick fitting' Clamp Kit ensures a rigid fix back to the services, or secondary steelwork.

Kit Includes

- 2 x Feet
- 2 x Anti-vibration mats
- 1 x Adjustable cross beam
- 2 x Clamps
- Assembly instructions

Technical Information

Model (with clamps)	Part No.	Feet Size (inches)	Max. Height (inches)	Overall Width (inches)	Overall Length (inches)	Max. Load per Beam (lbs)	Packaged Weight (lbs)
600HDB	B9373	24 x 24	12	25	55	1763	81
450HDB	B9423	18 x 18	12	19	53	1102	77

Cross Beam: 3 1/2" x 2" x 2" box section (1 3/64" Wall)

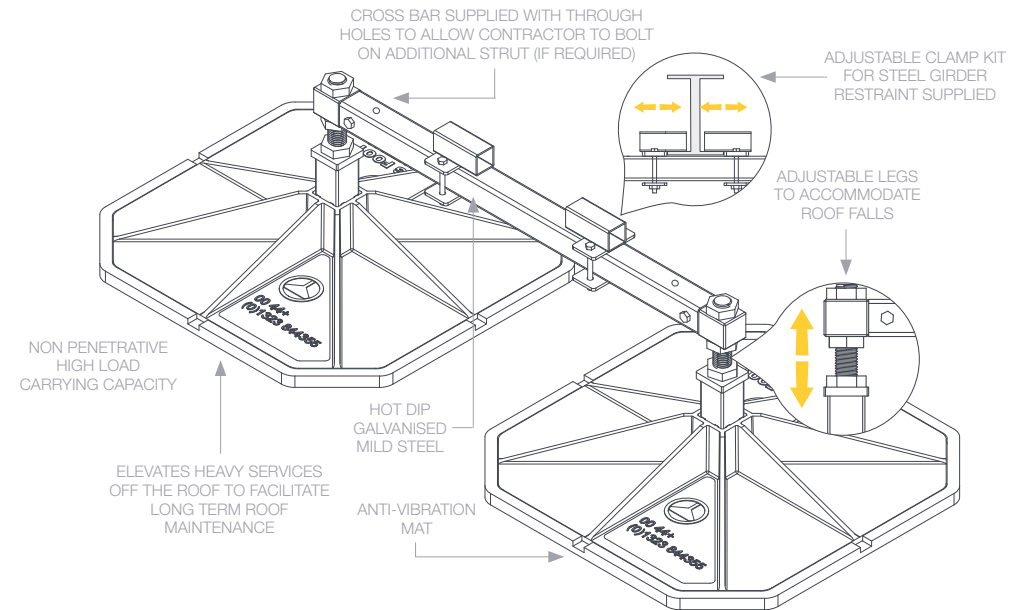
Finite Element Analysis (FEA)

Utilising the industry leading ANSYS load analysis programme, specific loading conditions can be calculated with consideration to total weight, weight distribution and dimensions to optimise the HD support framework design solution. FEA calculations are available based on customer supplied information, dependent upon scheme size and complexity.

HEIGHT ADJUSTMENT

Height adjustment from 10" to 14 1/4".

Big Foot Feet can inter-change with our various leg assemblies to offer customers differing support heights and foot prints to suit.



Material Specification

PLASTIC FOOT

Nylon 6 B601L 30% Glass Fibre Filled

ANTI-VIBRATION MAT

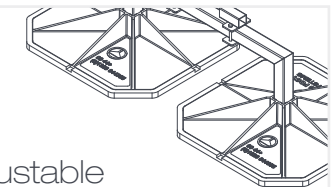
SBR-Recycled Rubber. Bound using a ratio of high quality moisture curing Polyurethane Pre-Polymer. BS7188:1989 & BS5696 Part 3:1979

METAL FRAMEWORK

Hot Dip Galvanised Mild Steel: BS EN 10219-1:1997. Welding Standard: BS EN ISO 15614-1 Galvanising: BS EN ISO 1461:1999 Salt Mist Testing: BSEN60068-2-52 Test Kb Severity 1

WORKING CONDITIONS

Suitable for internal or external applications in temperatures between -40°F to +176°F



Big Foot Non-Adjustable HD Beam

- 2 x Feet
- 2 x Anti-vibration mats
- 1 x Non-adjustable cross beam
- 2 x Clamps
- Assembly instructions

Part No.	Height (inches)	Width (inches)	Length (inches)
B9217	12	25	55