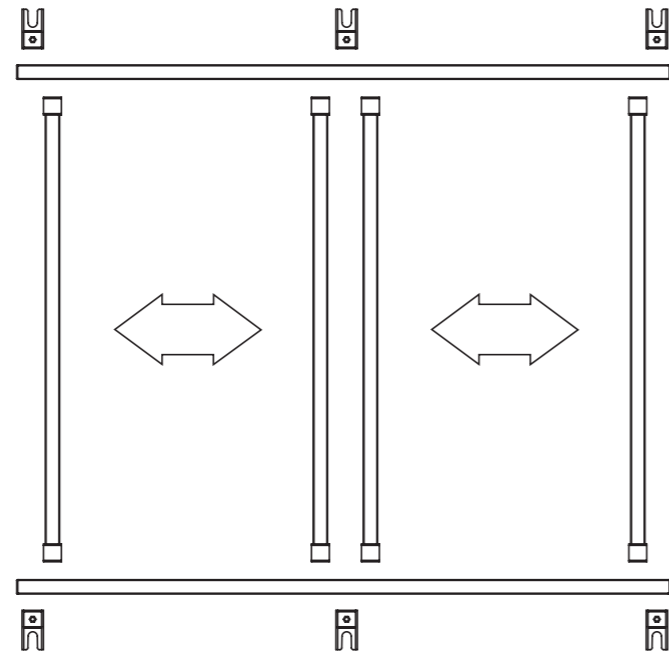


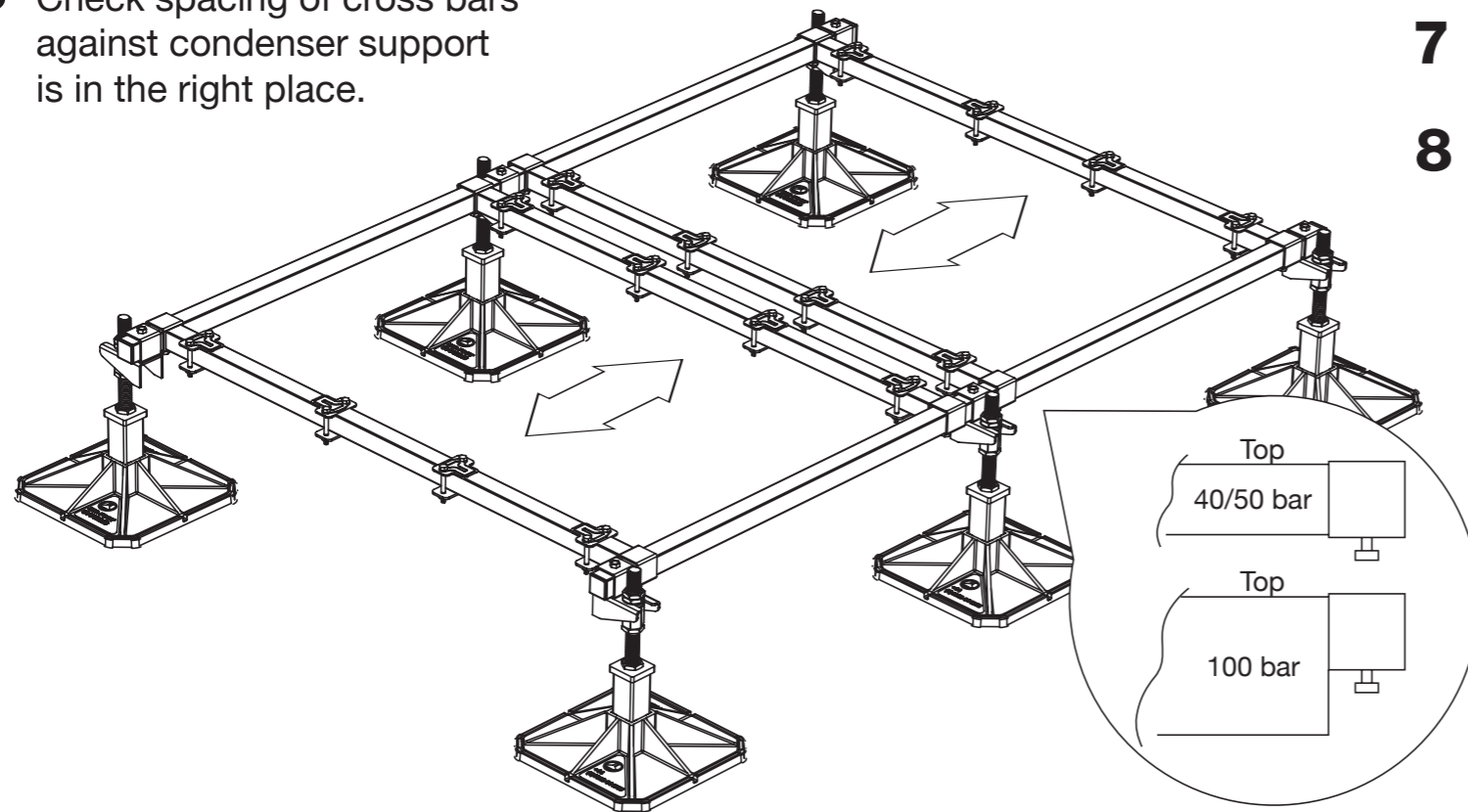
Framework Installation

1 Lay out framework.

2 Slide the two plain bars through cross bars and leg brackets.



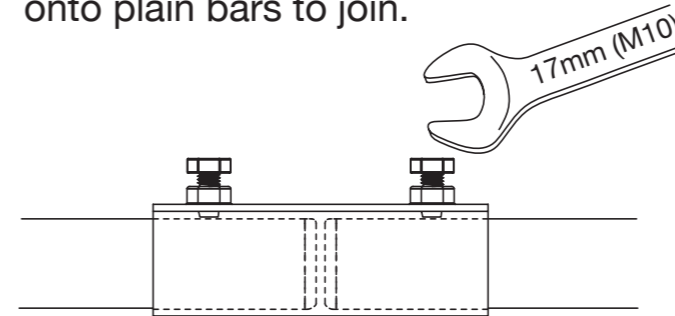
3 Check spacing of cross bars against condenser support is in the right place.



4 Semi-tighten bolts on cross bars and leg brackets.

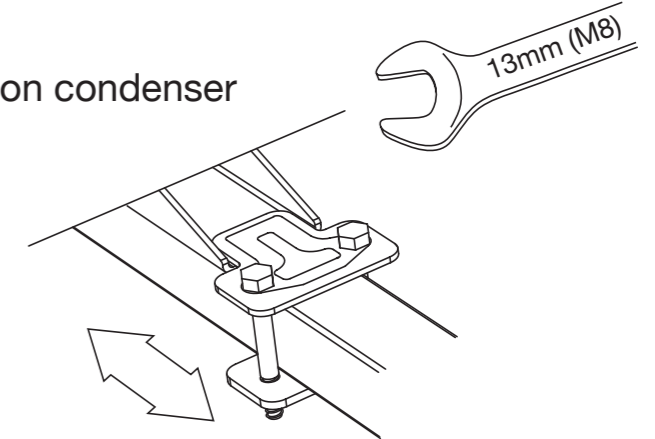
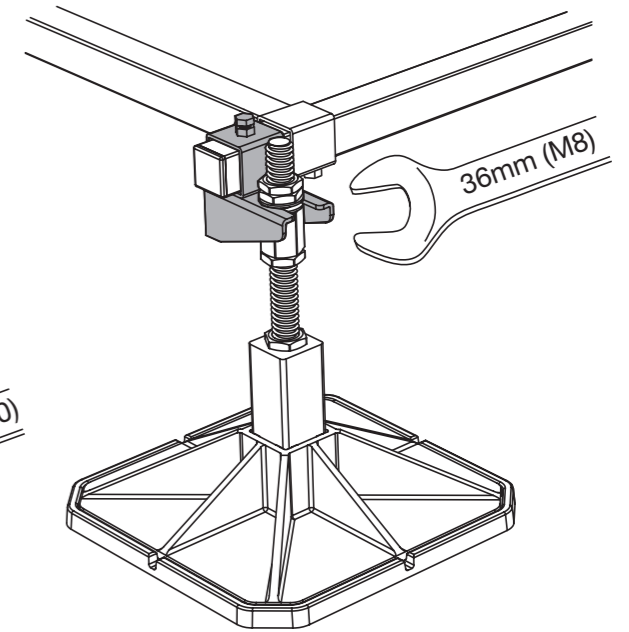
5 Fit leg assemblies onto leg brackets.

6 If system has more than one section, fit straight connectors onto plain bars to join.



7 Tighten entire framework and position condenser

8 If suitable, use clamps provided to secure condensers (on 40/50 bars only).



Address

APEX WAY HAILSHAM
EAST SUSSEX BN27 3WA
UNITED KINGDOM

T +44 (0)1323 844 355
sales@bigfootsystems.co.uk



www.bigfootsystems.co.uk