



# Big Foot HD Custom Framework

Large AHU's and Heavy Plant to customer specific requirements

## Typical Application

There are many situations at roof level that direct the customer away from our standard framework approach. Limited space, existing upstands, lightweight roofs, and other services may all contribute to detailing an appropriate custom support solution. With the aid of our technical surveyors and using our ANSYS FEA software, Big Foot can offer custom made one-off solutions to meet the demanding environment present on some of today's roofs.

Our extensive knowledge of waterproofing systems and roof build-ups ensure we keep within the loading parameters and this can be further demonstrated by us providing the necessary calculations to support our design. This, together with a rapid manufacturing and delivery time, offers customers a fast solution.

## Finite Element Analysis (FEA)

Utilising the industry leading ANSYS load analysis programme, specific loading conditions can be calculated with consideration to total weight, weight distribution and dimensions to optimise the HD support framework design solution. FEA calculations are available based on customer supplied information, dependent upon scheme size and complexity.

## Product Details

### ANGLED AV MATS

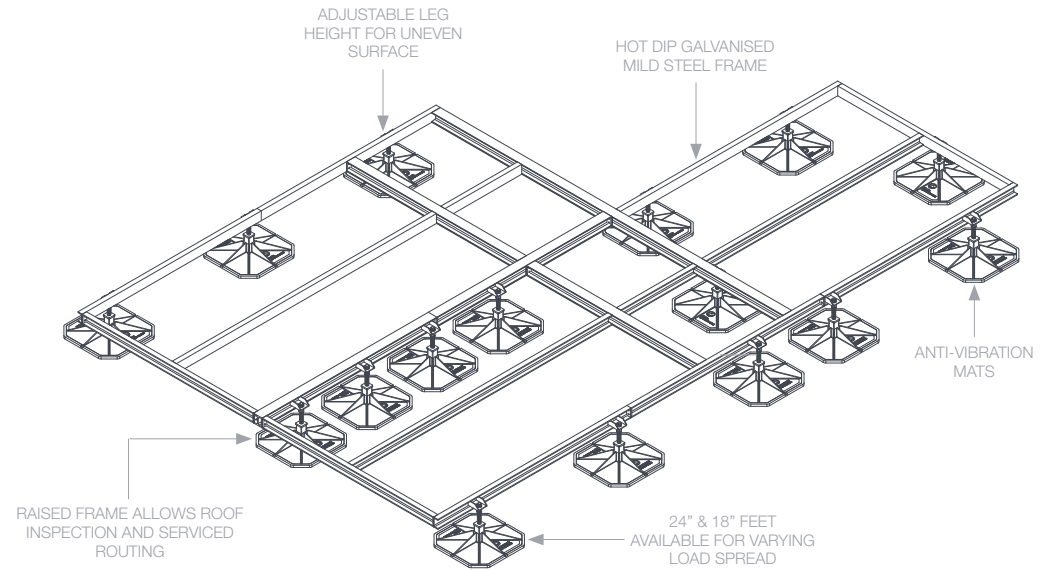
The solution to sloping roofs. 2.5° & 5° AV mats are available for 18" feet.

### LEG HEIGHT ADJUSTMENT

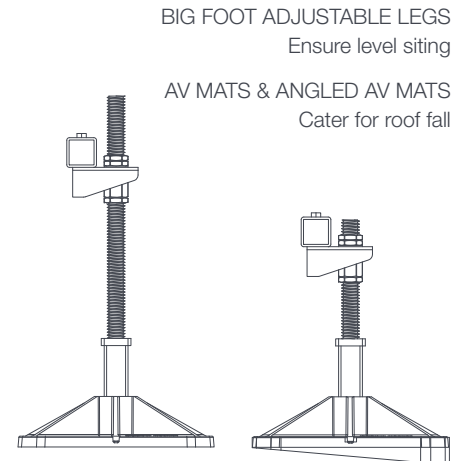
11 1/8" – 15 1/8": floor to top of framework.

### FEET FLEECE

Recommended for use on PVC membrane roof surfaces to prevent migration of plasticizers.



## Leg Assemblies



## Material Specification

- PLASTIC FOOT**  
Nylon 6 B601L 30% Glass Fibre Filled
- ANTI-VIBRATION MAT**  
SBR-Recycled Rubber. Bound using a ratio of high quality moisture curing Polyurethane Pre-Polymer. BS7188:1989 & BS5696 Part 3:1979
- METAL FRAMEWORK**  
Hot Dip Galvanised Mild Steel: BS EN 10219-1:1997. Welding Standard: BS EN ISO 15614-1 Galvanising: BS EN ISO 1461:1999  
Salt Mist Testing: BSEN60068-2-52  
Test Kb Severity 1
- WORKING CONDITIONS**  
Suitable for internal or external applications in temperatures between -40°F to +176°F