



Big Foot VRV / VRF Frame

VRV / VRF Systems

Typical Application

Developed for the siting of most major manufacturers VRV/VRF systems. This lightweight and easily assembled Modular Frame system is quick to install and provides a robust and secure method of support.

Manufacturers units currently covered include Mitsubishi, Hitachi, Daikin, Toshiba & Samsung. For further details contact the Big Foot Systems Technical Office on +44 (0)1323 844 355.

Provision for associated services has been incorporated in the framework design.

Kit Includes

- Adjustable leg assemblies
- Feet and Anti-vibration mats
- AC clamp kits
- Adjustable cross bars
- 1½" x 1½" box section end bars
- Site assembly instructions

PLEASE NOTE: Quantities and sizes within the kit are unit dependent.

Product Details

ANGLED AV MATS

The solution to sloping roofs. 2.5° & 5° AV mats are available for 18" feet.

LEG HEIGHT ADJUSTMENT

11½" – 15½": floor to top of framework.

LINEAR ADJUSTMENT

The cross-bars which support the condenser units can slide along the plain bars into the position required, then are locked securely in place.

CONDENSER CLAMPS

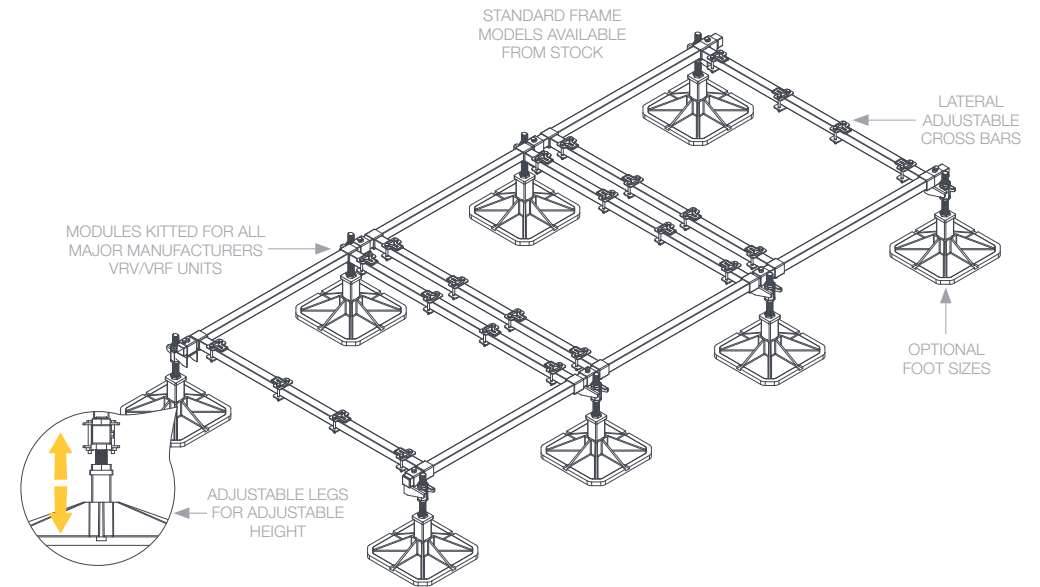
The repositionable clamps located on both sides of the cross-bars, locking down onto the feet of the condenser units as they are tightened.

LEG AND BRACKET POSITIONING

The leg and bracket are usually positioned outside the framework, but can be positioned inside if there is an obstruction or the load dictates.

FEET FLEECEES

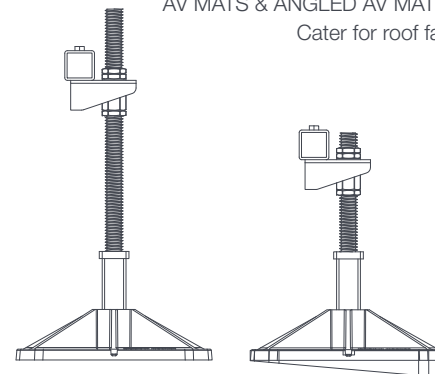
Recommended for use on PVC membrane roof surfaces to prevent migration of plasticizers.



Leg Assemblies

BIG FOOT ADJUSTABLE LEGS
Ensure level siting

AV MATS & ANGLED AV MATS
Cater for roof fall



Material Specification

PLASTIC FOOT
Nylon 6 B601L 30% Glass Fibre Filled

ANTI-VIBRATION MAT
SBR-Recycled Rubber. Bound using a ratio of high quality moisture curing Polyurethane Pre-Polymer. BS7188:1989 & BS5696 Part 3:1979

METAL FRAMEWORK
Hot Dip Galvanised Mild Steel: BS EN 10219-1:1997. Welding Standard: BS EN ISO 15614-1 Galvanising: BS EN ISO 1461:1999 Salt Mist Testing: BSEN60068-2-52 Test Kb Severity 1

WORKING CONDITIONS
Suitable for internal or external applications in temperatures between -40°F to +176°F